

## 5 Hall sensor

### • Measuring

-AC, DC, pulse and other complex current signals

### • Features

- Small package size
- Low power consumption
- Extended measuring range

### • Application

- AC variable speed drives
- Battery supplied applications
- Uninterruptible Power Supplies

### • Specifications

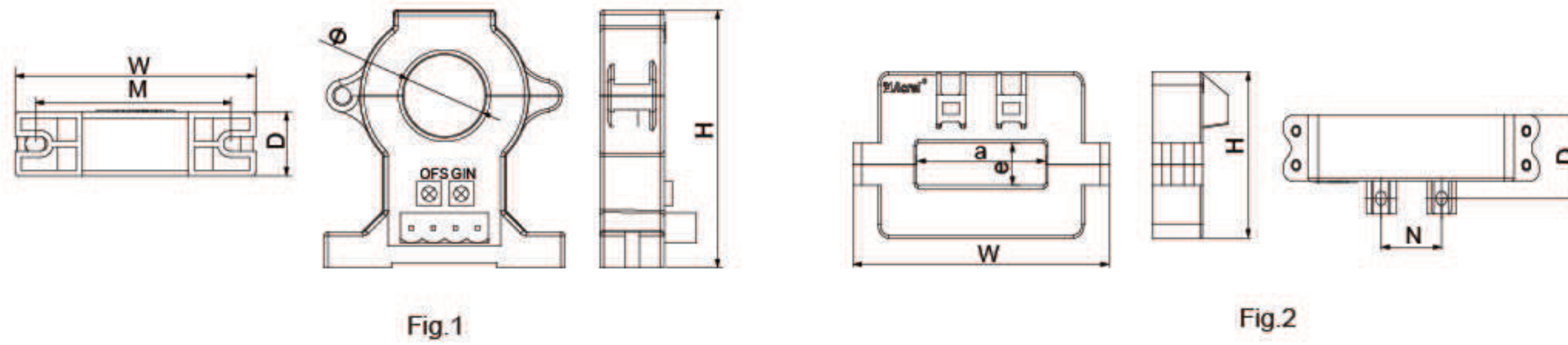
Technical parameters		Open-loop	
		Real-time values	Hall (true RMS)
Output	Nominal value	Voltage: $\pm 5V/\pm 4V$	Current: 4-20mA
	Zero offset voltage (current)	Voltage: $\pm 20mV$	Current: $\pm 0.05mA$
	Offset voltage (current) drift	Voltage: $\leq \pm 1.0mV/^\circ C$	Current: $\pm 0.04mA/^\circ C$
	Linearity	$\leq 0.2\%FS$	
Power Supply		DC $\pm 15V$	DC 12V/24V
Bandwidth		0-20kHz	
Response time		$\leq 20\mu s$	$\leq 1ms$
Dielectric strength		Permissible 3500VAC between input/output	
Accuracy		Class 1	
Environment	Temperature	$-40^\circ C \sim +85^\circ C$	
	Humidity	Up to 95%, no condensation	
	Altitude	$\leq 3500m$	

### • Specifications

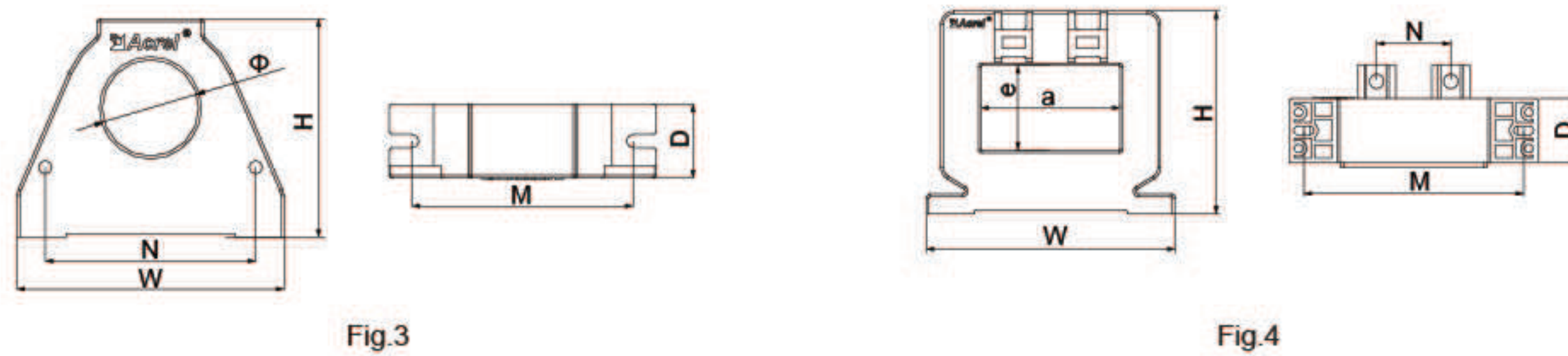
Shape	Type	Rated input	Auxiliary Power Supply	Rated Output	Measuring Aperture (mm)	
	AHKC-EKA	$\pm(50-500)A$	$\pm 12V \sim \pm 15V$	$\pm 5V/4V$	$\phi 20$	Split
	AHKC-EKAA	DC 0~(50-500)A	12V, 24V	4-20mA		
	AHKC-EKB	$\pm(200-1000)A$	$\pm 12V \sim \pm 15V$	$\pm 5V/4V$	$\phi 40$	Split
	AHKC-EKBA	DC 0~(200-1000)A	12V, 24V	4-20mA		
	AHKC-EKC	$\pm(500-1500)A$	$\pm 12V \sim \pm 15V$	$\pm 5V/4V$	$\phi 60$	Split
	AHKC-EKCA	DC 0~(500-1500)A	12V, 24V	4-20mA		
	AHKC-K	$\pm(400-2000)A$	$\pm 12V \sim \pm 15V$	$\pm 5V/4V$	64×16	Split
	AHKC-KAA	DC0~(400-2000)A	12V, 24V	4-20mA		
	AHKC-H	$\pm(500-3000)A$	$\pm 12V \sim \pm 15V$	$\pm 5V/4V$	82×32	Split
	AHKC-KA	$\pm(500-5000)A$	$\pm 12V \sim \pm 15V$	$\pm 5V/4V$	104×36	Split
	AHKC-HB	$\pm(2000-40000)A$	$\pm 12V \sim \pm 15V$	$\pm 5V/4V$	132×52	Split
	AHKC-HBAA	DC0~(2000-40000)A	12V, 24V	4-20mA		
	AHKC-E	$\pm(50-500)A$	$\pm 12V \sim \pm 15V$	$\pm 5V/4V$	$\phi 20$	Closed
	AHKC-LT	$\pm(100-800)A$	$\pm 12V \sim \pm 15V$	$\pm 5V/4V$	$\phi 32.5$	Closed
	AHKC-C	$\pm(100-800)A$	$\pm 12V \sim \pm 15V$	$\pm 5V/4V$	30*10.5	Closed
	AHKC-BS	$\pm(50-500)A$	$\pm 12V \sim \pm 15V$	$\pm 5V/4V$	20.5*10.5	Closed
AHKC-BSA	DC0~(50-500)A	12V, 24V	4-20mA			
	AHKC-F	$\pm(200-1000)A$	$\pm 12V \sim \pm 15V$	$\pm 5V/4V$	43*13	Closed
	AHKC-FA	$\pm(200-1500)A$	$\pm 12V \sim \pm 15V$	$\pm 5V/4V$	52*15	Closed
	AHKC-HAT	$\pm(400-2000)A$	$\pm 12V \sim \pm 15V$	$\pm 5V/4V$	52*32	Closed



• Spec. and size (unit: mm)



Size	Specification	Outline size			Through size			Mounting size		Figure
		W	H	D	a	e	Φ	M	N	
AHKC-EKA		60	64	16	/	/	20	47	/	Fig.1
AHKC-EKAA		60	64	16	/	/	20	47	/	Fig.1
AHKC-EKB		100	102	24	/	/	40	80	/	Fig.1
AHKC-EKBA		100	102	24	/	/	40	80	/	Fig.1
AHKC-K		127	63	25	64	16	/	/	30	Fig.2
AHKC-KAA		127	63	25	64	16	/	/	30	Fig.2
AHKC-H		149	79	25	82	32	/	/	46	Fig.2
AHKC-KA		176	95.5	29	104	36	/	/	60	Fig.2
AHKC-HB		204	111.5	29	132	52	/	/	48×2	Fig.2



Size	Specification	Outline size			Through size			Mounting size		Figure
		W	H	D	a	e	Φ	M	N	
AHKC-E		53	72	16	/	/	21	47	/	Fig.3
AHKC-LT		90	73.5	25	/	/	32.5	74.5	71	Fig.3
AHKC-BS		43	32.5	19	20.5	10.5	/	/	/	Fig.3
AHKC-BSA		43	32.5	19	20.5	10.5	/	/	/	Fig.3
AHKC-F		74	57	22	43	13	/	/	22	Fig.4
AHKC-FA		94	60.5	26.5	52	15	/	83	28	Fig.4
AHKC-HAT		94	76.5	24	52.5	32	/	83	28	Fig.4

## 6 Closed-loop Transducer

• Measuring

-AC, DC, pulse and other complex current signals

• Features

- Excellent accuracy
- Low temperature drift
- Wide frequency bandwidth
- Optimized response time

• Application

- AC variable speed drives
- Battery supplied applications
- Uninterruptible Power Supplies
- Power supplies for welding application

• Specifications

Technical parameters		Closed-loop	
		Hall Current	Hall Voltage
Output	Nominal value	Current: 50mA, 100mA, 200mA, 200mA	Current: 50mA
	Zero offset voltage (current)	Voltage: ±0.2mA	Current: ±0.1mA
	Linearity	≤0.2%FS	
Power Supply		±15V~±24V	
Bandwidth		0-100kHz	
Response time		≤1us	≤200us
Dielectric strength		3.5kV AC	12kV AC
Accuracy		Class 0.5	
Environment	Temperature	-40℃~+85℃	
	Humidity	Up to 95%, no condensation	
	Altitude	≤3500m	

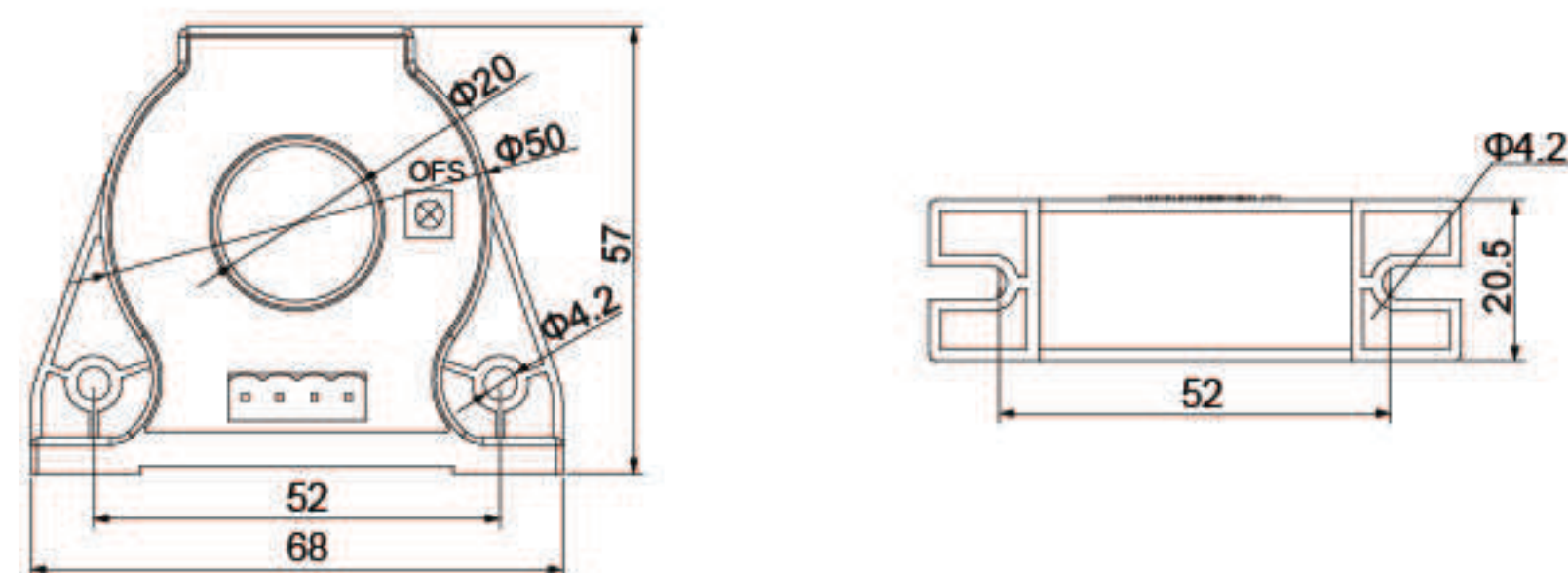


• Specifications

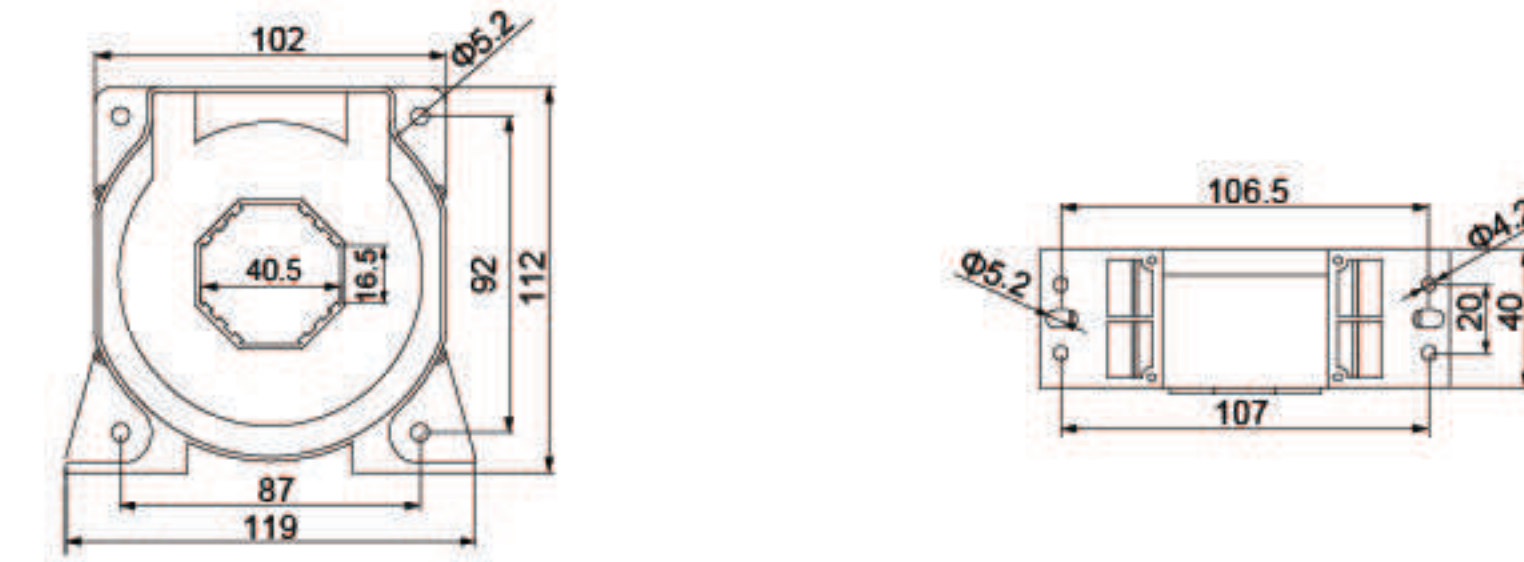
Shape	Type	Rated Input	Auxiliary Power Supply	Rated Output	Measuring Aperture (mm)
	AHBC-LTA	$\pm (100\sim 300) A$	$\pm 15V\sim\pm 24V$	50mA, 100mA	$\phi 20$
	AHBC-LT1005	$\pm 1000A$	$\pm 15V\sim\pm 24V$	200mA	$\phi 40.5$
	AHBC-LF	$\pm 2000A$	$\pm 15V\sim\pm 24V$	400mA	$\phi 60.5$
	AHVS-L100	$\pm 2000V$	$\pm 15V\sim\pm 24V$	50mA	/
	AHVS-LV	$\pm 4000V$	$\pm 15V\sim\pm 24V$	50mA	/

• Spec. and Size (unit: mm)

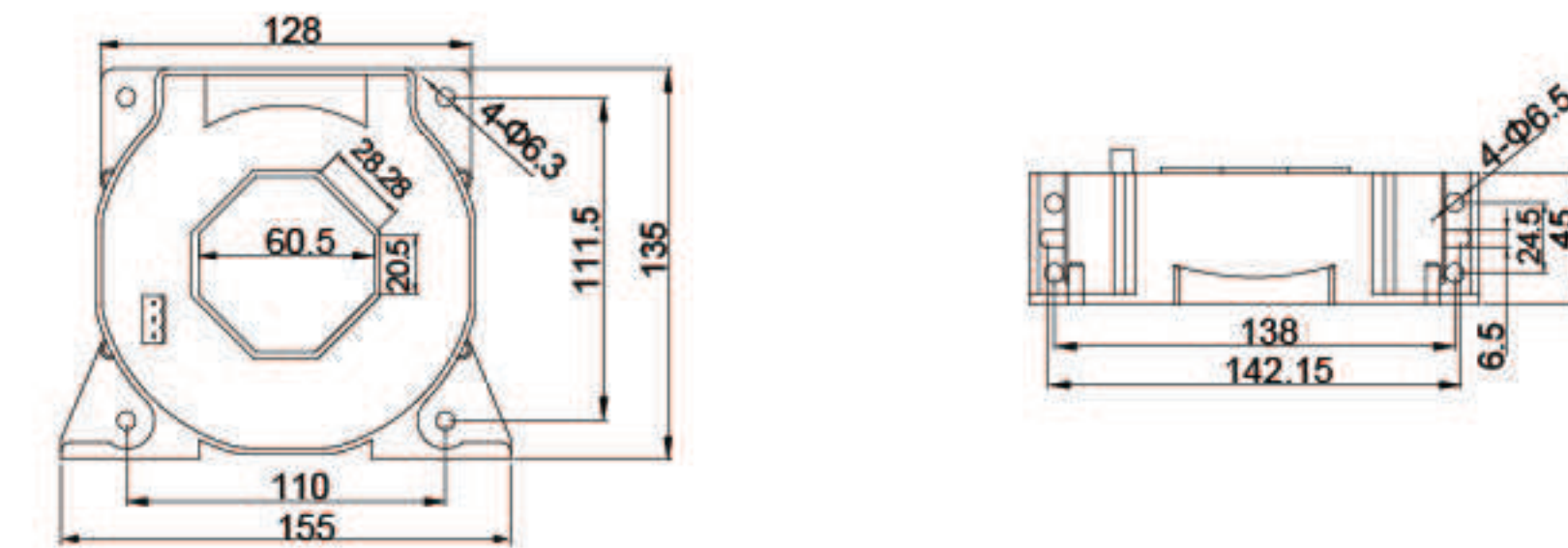
Outline size of AHBC-LTA



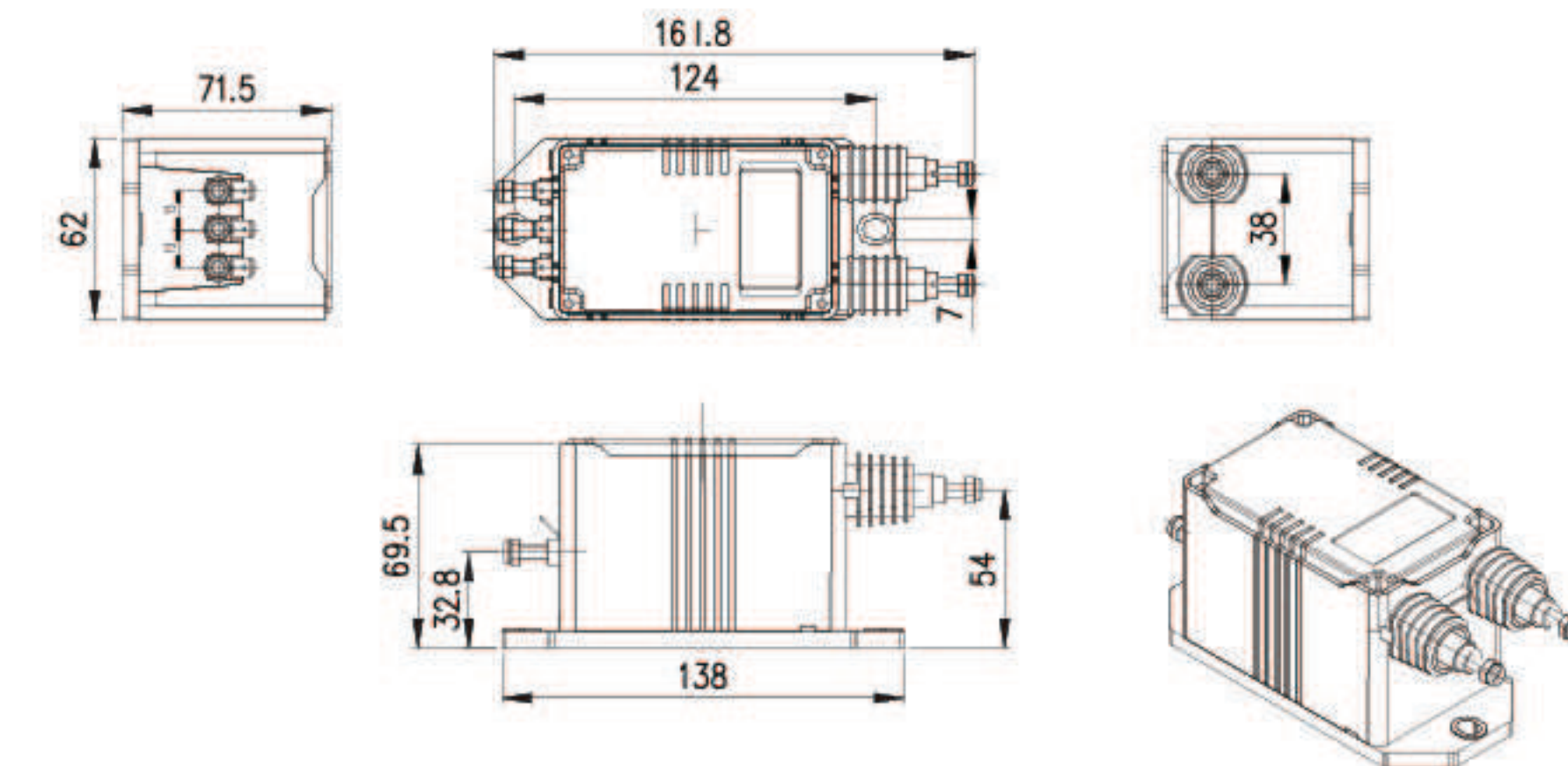
Outline size of AHBC-LT1005



Outline size of AHBC-LF



Outline size of AHVS-L100



Outline size of AHVS-LV

